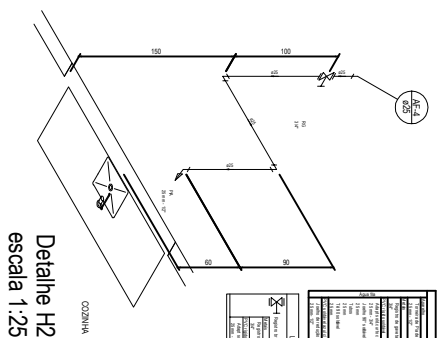
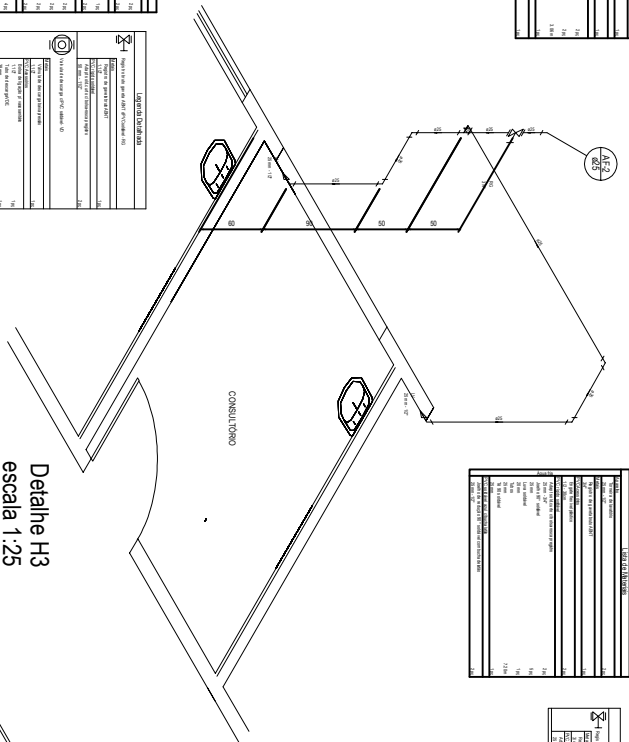


LIGAS DE ALUMINIO	
1.01	1.01
1.02	1.02
1.03	1.03
1.04	1.04
1.05	1.05
1.06	1.06
1.07	1.07
1.08	1.08
1.09	1.09
1.10	1.10
1.11	1.11
1.12	1.12
1.13	1.13
1.14	1.14
1.15	1.15
1.16	1.16
1.17	1.17
1.18	1.18
1.19	1.19
1.20	1.20



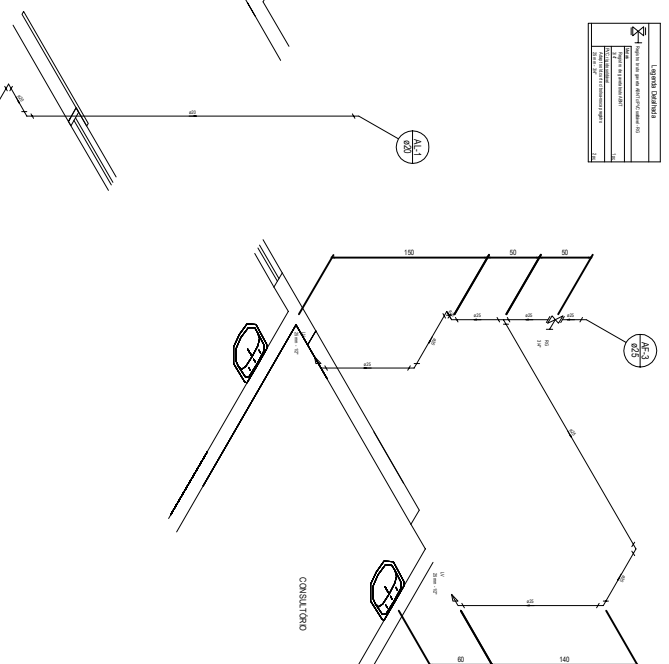
Detalhe H2
escala 1:25

LIGAS DE ALUMINIO	
1.01	1.01
1.02	1.02
1.03	1.03
1.04	1.04
1.05	1.05
1.06	1.06
1.07	1.07
1.08	1.08
1.09	1.09
1.10	1.10
1.11	1.11
1.12	1.12
1.13	1.13
1.14	1.14
1.15	1.15
1.16	1.16
1.17	1.17
1.18	1.18
1.19	1.19
1.20	1.20



Detalhe H3
escala 1:25

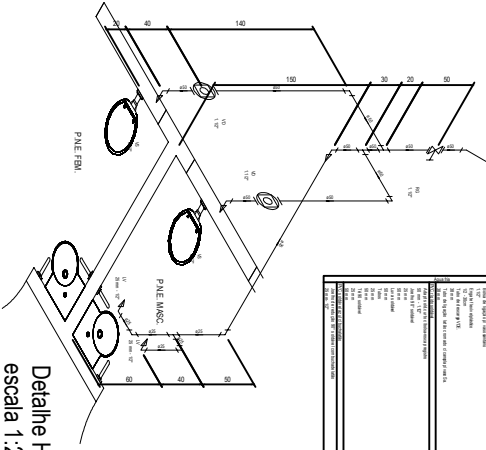
LIGAS DE ALUMINIO	
1.01	1.01
1.02	1.02
1.03	1.03
1.04	1.04
1.05	1.05
1.06	1.06
1.07	1.07
1.08	1.08
1.09	1.09
1.10	1.10
1.11	1.11
1.12	1.12
1.13	1.13
1.14	1.14
1.15	1.15
1.16	1.16
1.17	1.17
1.18	1.18
1.19	1.19
1.20	1.20



Detalhe H4
escala 1:25

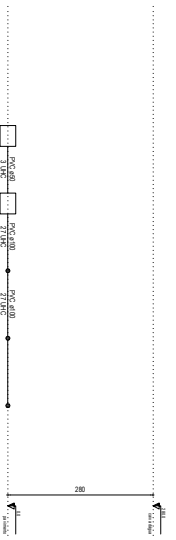
LIGAS DE ALUMINIO	
1.01	1.01
1.02	1.02
1.03	1.03
1.04	1.04
1.05	1.05
1.06	1.06
1.07	1.07
1.08	1.08
1.09	1.09
1.10	1.10
1.11	1.11
1.12	1.12
1.13	1.13
1.14	1.14
1.15	1.15
1.16	1.16
1.17	1.17
1.18	1.18
1.19	1.19
1.20	1.20

LIGAS DE ALUMINIO	
1.01	1.01
1.02	1.02
1.03	1.03
1.04	1.04
1.05	1.05
1.06	1.06
1.07	1.07
1.08	1.08
1.09	1.09
1.10	1.10
1.11	1.11
1.12	1.12
1.13	1.13
1.14	1.14
1.15	1.15
1.16	1.16
1.17	1.17
1.18	1.18
1.19	1.19
1.20	1.20

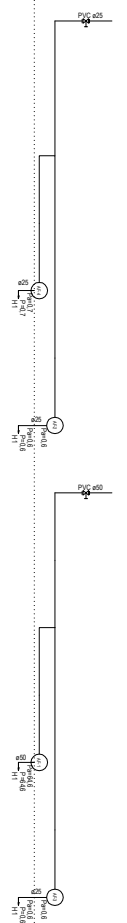


Detalhe H5
escala 1:25

LIGAS DE ALUMINIO	
1.01	1.01
1.02	1.02
1.03	1.03
1.04	1.04
1.05	1.05
1.06	1.06
1.07	1.07
1.08	1.08
1.09	1.09
1.10	1.10
1.11	1.11
1.12	1.12
1.13	1.13
1.14	1.14
1.15	1.15
1.16	1.16
1.17	1.17
1.18	1.18
1.19	1.19
1.20	1.20



Esquema vertical de esgoto
Escala 1:50



Esquema vertical de água
Escala: 1:50

RUBENS L. R. SOUZA Rua Dr Luiz Oscar Paschoer 1079 rubenslrs@ig.com.br	
PROJETO HIDRO SANITÁRIO PREFEITURA MUNICIPAL DE CAPANEMA AMPLIAÇÃO DE BS SANTA CRUZ DETALHES HIDRAULICOS	
Renda da Planilha 001 Renda Geral Comentários	Rubens 25/01/2022 Autor Data
Rua parâmetro 81 e 17 quadra 34 setor VE Capanema RR Desenhado Eng Rubens Data: 25/01/2022	Folha: 01/50 Projeto: 02/05